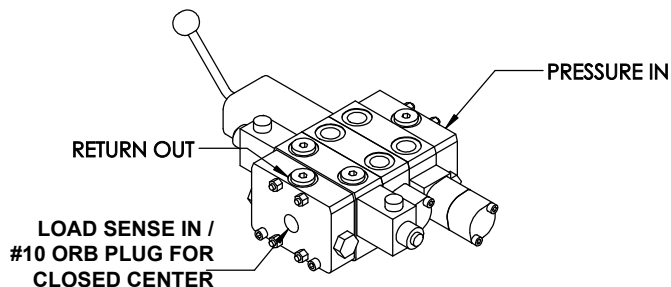


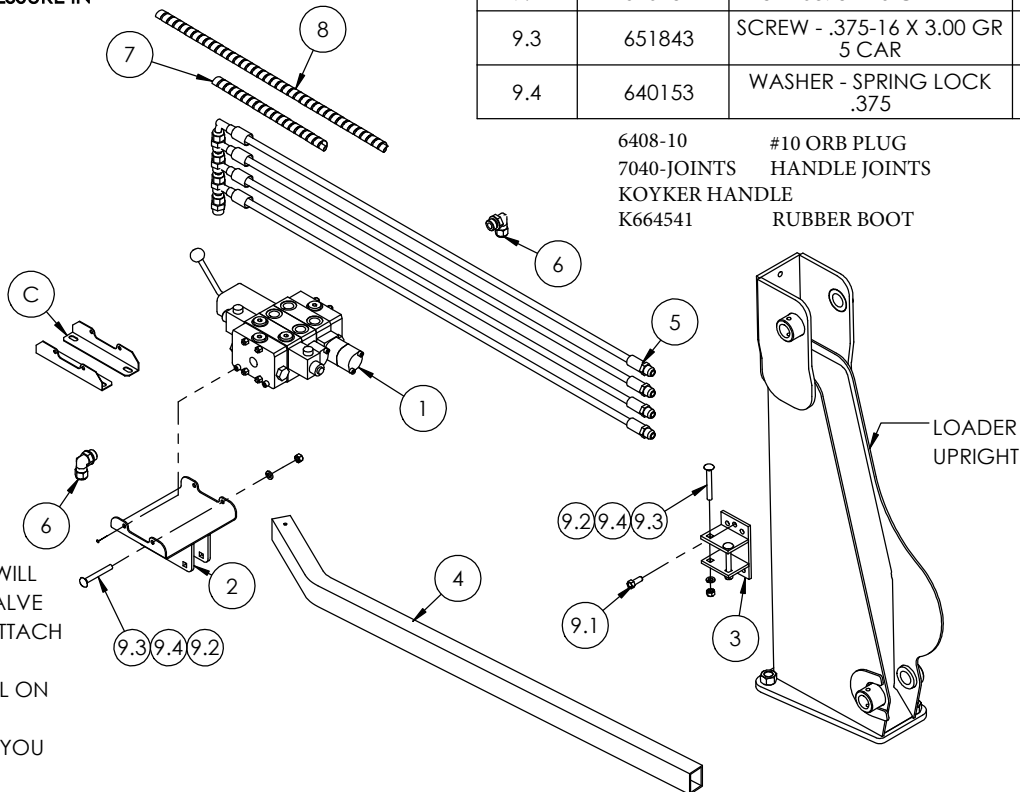


SHORT LINE PARTS
 WWW.SHORTLINEPARTS.COM
 SALES@SHORTLINEPARTS.COM

ITEM NO.	PART NUMBER	DESCRIPTION	QTY.
1	K668962	2 SPOOL VALVE	1
2	K669280	VALVE BRACKET WELDMENT	1
3	651743	UPRIGHT CLAMP WELDMENT	1
4	651744	VALVE BRACKET EXTENSION TUBE	1
5	669281	48" HYDRAULIC HOSE	4
6	6809-10-8	FITTING-HYD 90 ELB 100RM - 8 FJX	2
7	665824	Hose Wrap 12"	1
8	659674	24" HOSE WRAP	1
9	#876	HARDWARE BAG	1
9.1	663327	SCREW-.375-16 X 1.00 HTCS	2
9.2	640132	NUT - 0375 - 16 GR 2 HEX	4
9.3	651843	SCREW - .375-16 X 3.00 GR 5 CAR	4
9.4	640153	WASHER - SPRING LOCK .375	4



1. VALVE IS SHIPPED LOAD SENSE CLOSED CENTER.

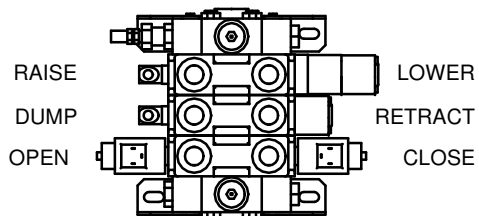


6408-10	#10 ORB PLUG	1
7040-JOINTS	HANDLE JOINTS	1
KOYKER HANDLE		1
K664541	RUBBER BOOT	1

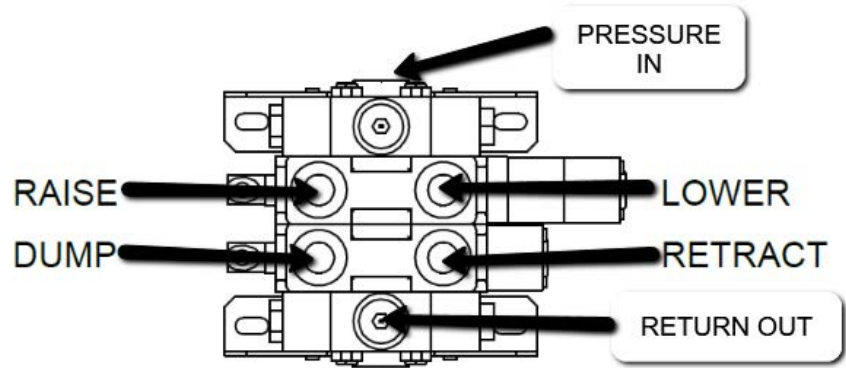
NOTE:

1. THE MOUNT BRACKETS (PART C) WILL HAVE TO BE REMOVED FROM THE VALVE BODY. USE THE ALLEN SCREWS TO ATTACH THE VALVE TO THE VALVE BRACKET.
2. REFER TO YOUR LOADER MANUAL ON WHERE TO ATTACH HOSE ENDS.
3. IF HARD PLUMBING TO TRACTOR YOU WILL HAVE TO SUPPLY YOU OWN HYDRAULIC COMPONENTS.

TOP VIEW OF WORKING PORTS ON THE VALVE

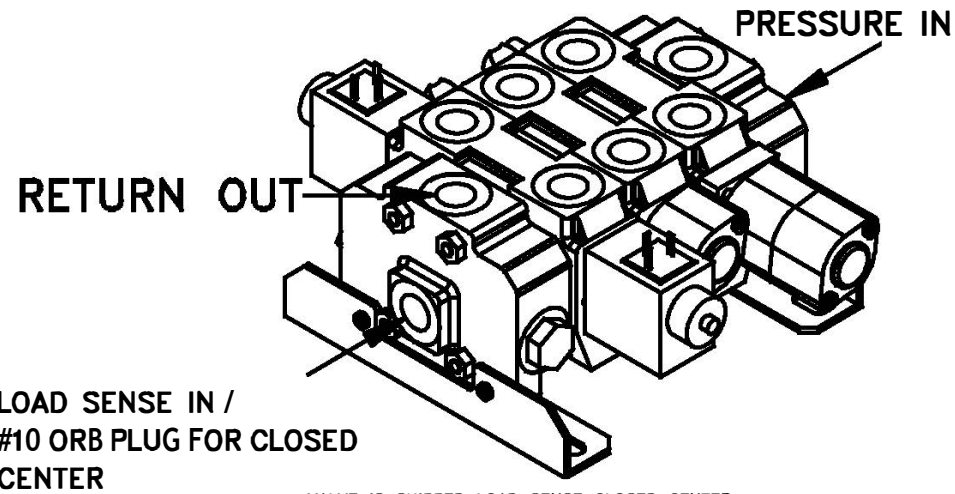
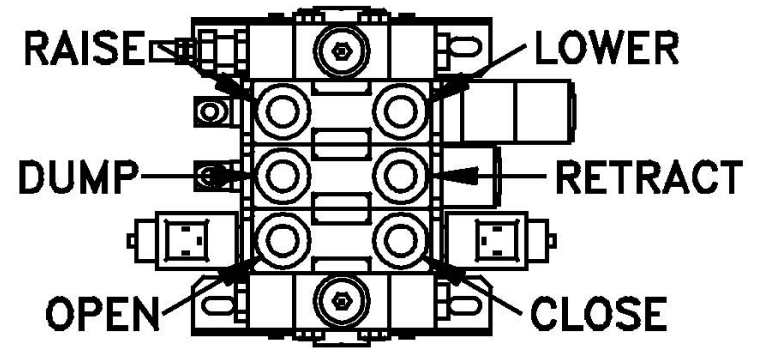


2 SPOOL LOAD SENSING/CLOSED CENTER VALVE
PORTS LABELED



LOAD SENSE IN /
PLUG FOR CLOSED
CENTER

3 SPOOL LOAD SENSING/CLOSED CENTER
VALVE PORTS LABELED



VALVE IS SHIPPED LOAD SENSE CLOSED CENTER.