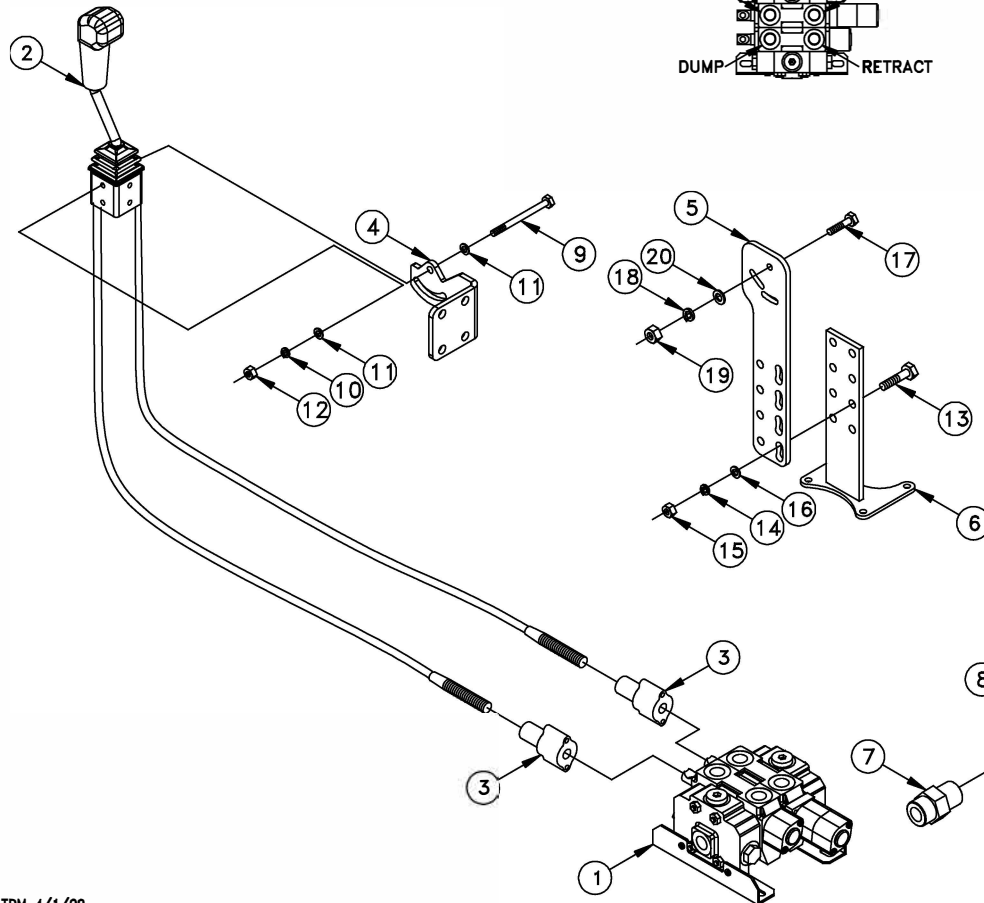
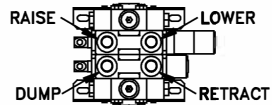


# K669292 UNIVERSAL 2 SPOOL LOAD SENSING/CLOSED CENTER VALVE KIT W/JOYSTICK



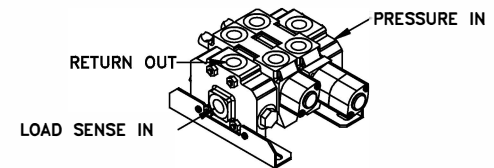
SHORT LINE PARTS  
 WWW.SHORTLINEPARTS.COM  
 SALES@SHORTLINEPARTS.COM

TOP VIEW OF WORKING PORTS ON THE VALVE



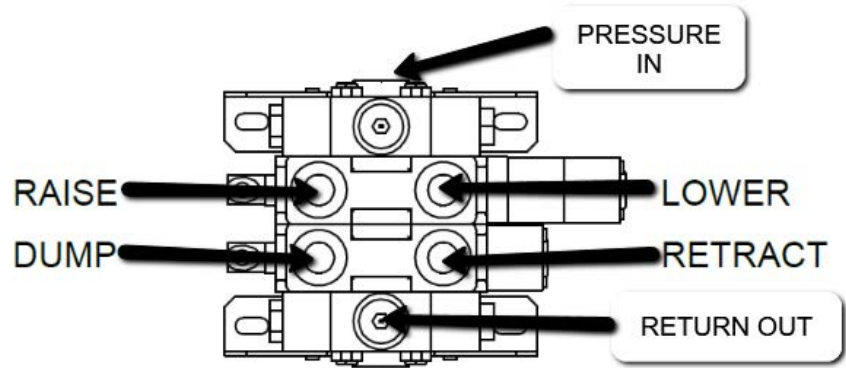
KEY	PART NO.	DESCRIPTION	QTY.
1	668962	2 SPOOL LOAD SENSING VALVE	1
2	683154	JOYSTICK CABLE CONTROL KIT W/78" CABLES	1
3	669298	CABLE CONNECTOR KIT	2
4	684725	JOYSTICK HANDLE BRACKET	1
5	672195	JOYSTICK STAND PLATE	1
6	672185	JOYSTICK STAND BRACKET	1
7	669377	ADAPTER	7
8	641758	QUICK COUPLER	4
	#925	HARDWARE BAG	1
9	669618	HH CAP SCREW; 5/16" x 3 1/2"	2
10	640151	LOCKWASHER; 5/16"	2
11	640152	FLATWASHER; 5/16"	4
12	652360	HEXNUT; 5/16"	2
	663708	JOYSTICK DECAL	1
13	640060	HH CAP SCREW; 1/2" x 1 3/4"	2
14	640157	LOCKWASHER; 1/2"	2
15	640139	HEXNUT; 1/2"	2
16	640158	FLATWASHER; 1/2"	1
17	640034	HH CAP SCREW; 3/8" x 1 1/2"	3
18	640153	LOCKWASHER; 3/8"	3
19	640132	HEXNUT; 3/8"	3
20	640154	FLATWASHER; 3/8"	2

NOTE: MODIFICATIONS MAY BE NEEDED AS NECESSARY.



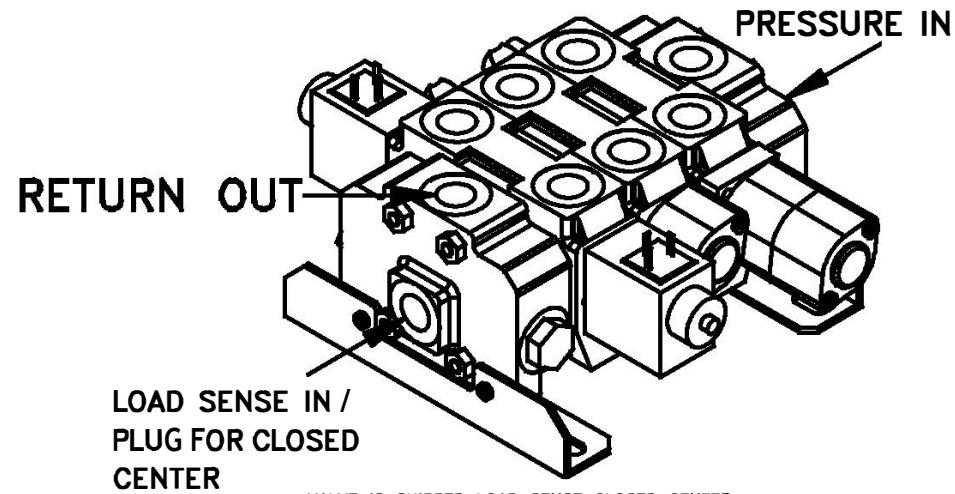
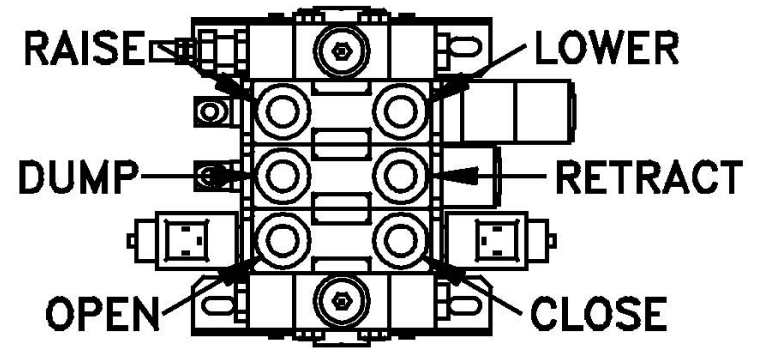
1. VALVE IS SHIPPED LOAD SENSE CLOSED CENTER.

2 SPOOL LOAD SENSING/CLOSED CENTER VALVE  
PORTS LABELED

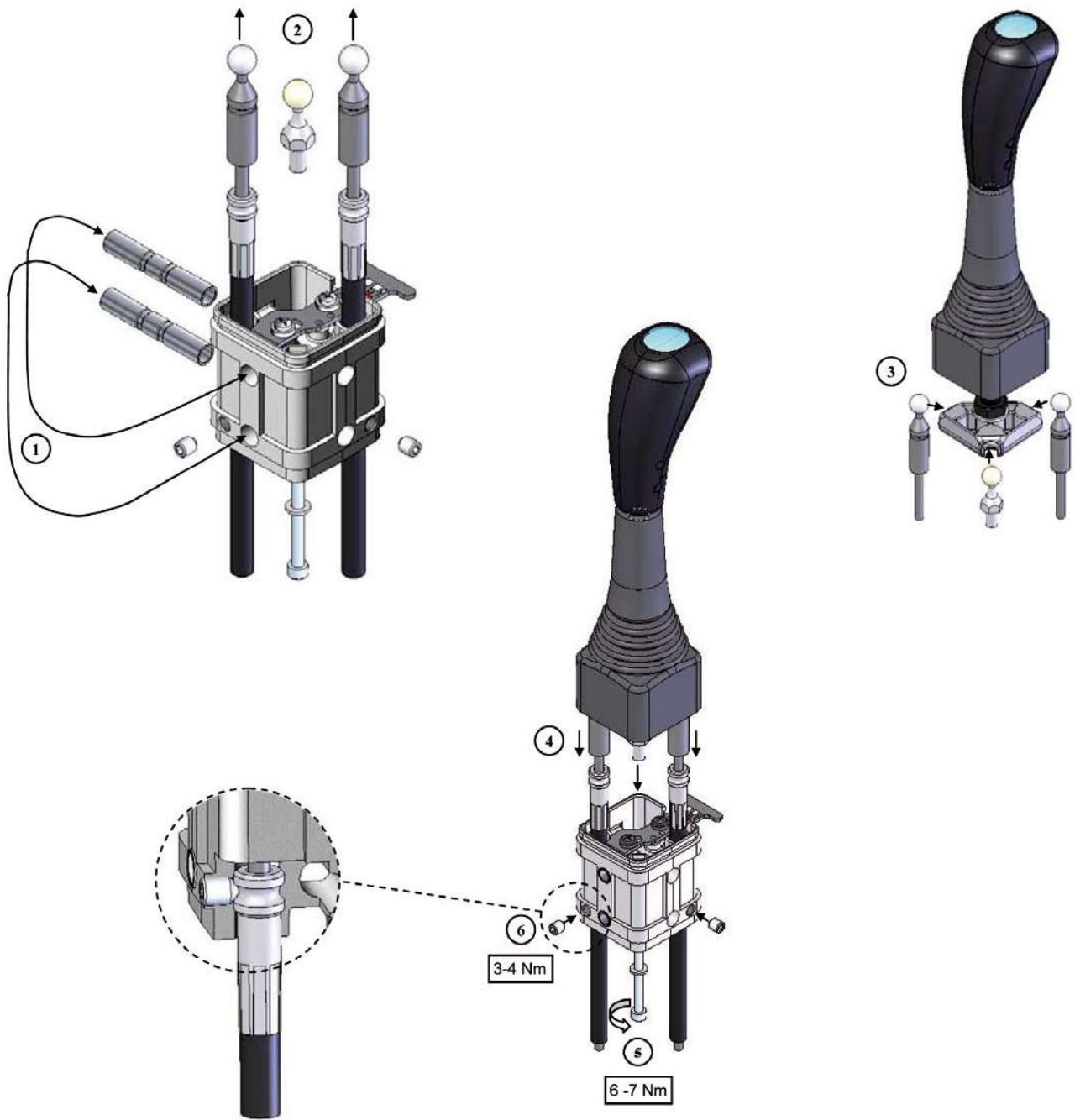


LOAD SENSE IN /  
PLUG FOR CLOSED  
CENTER

3 SPOOL LOAD SENSING/CLOSED CENTER  
VALVE PORTS LABELED



VALVE IS SHIPPED LOAD SENSE CLOSED CENTER.



1. Place the two spacers in the desired position.
2. Pull out the security lock and draw the cables through the two holes in the housing.
3. Insert the cable joints and the pivot post in the yoke.
4. Push the cable joints and pivot post down into the housing.
5. Fasten the pivot post by assembling the screw and tightening it to 6-7 Nm using a 5 mm Allen wrench.
6. Lock the cables by tightening the two stop screws with 3-4 Nm using a 4 mm Allen wrench

VIDEOS:

CONNECTING CABLES TO VALVE:

<https://youtu.be/AOKy1CnuU4o>



CONNECTING CABLES TO JOYSTICK:

<https://youtu.be/vbcYCtpPtaw>

